

Slotted Support Blocks

for Side Clamps GN 9190 / GN 9190.1 / GN 9190.2

SPECIFICATION

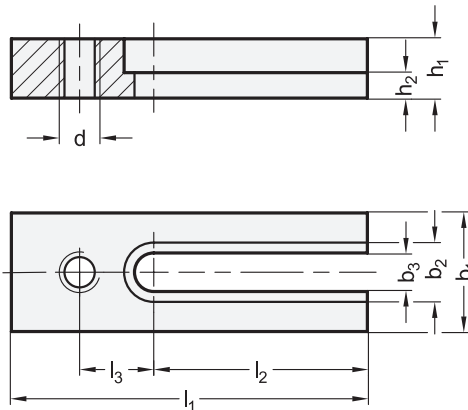
Steel

- Tempered
- Blackened

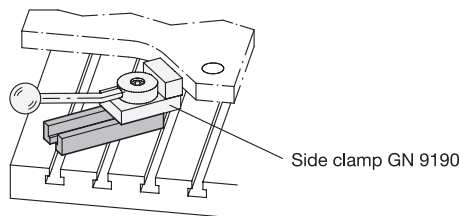
INFORMATION

Slotted support blocks GN 9190.3 are provided as accessory for side clamps GN 9190 (see page) / GN 9190.1 (see page) / GN 9190.2 (see page).

They can also be used to fasten side clamps across the T-slot in any position.



Application example



GN 9190.3

| Description | b ₁ | l ₁ | d | b ₂ | b ₃ | h ₁ | h ₂ | l ₂ | l ₃ | For side clamp slot width a GN 9190 | For side clamp slot width a GN 9190.1 | For side clamp slot width a GN 9190.2 | ⚖ |
|----------------------|----------------|----------------|------|----------------|----------------|----------------|----------------|----------------|----------------|-------------------------------------|---------------------------------------|---------------------------------------|------|
| GN 9190.3-30-100-M8 | 30 | 100 | M 8 | 15 | 9 | 15 | 6.5 | 63 | 20 | 10 | 10 | 10 | 246 |
| GN 9190.3-40-120-M12 | 40 | 120 | M 12 | 20 | 13 | 20 | 7.5 | 72 | 25 | 12 | 14 | 14 | 515 |
| GN 9190.3-60-140-M16 | 60 | 140 | M 16 | 26 | 17 | 30 | 13 | 80 | 30 | - | 18 | 18 | 1456 |